

# Connecting Small and Micro Service Providers

## Overview

Our client is desired to create a marketplace for the retailers to scale their business in their local market. The project aims to empower the retailers to boost their revenue by scaling their visibility in locality. It comes with multiple categories and subcategories of retailers enabling users to reduce their time while searching for their needs.

The project is delivering to the end users by providing the vulnerable categories that is difficult to search and find in the changing market landscape. Visibility of this categories had been major issue from very long time and this project solves the need of hour and empower communities by boosting their revenue. It had been a huge success raising demands in market while its launch bringing up more than 40k retailers and 1 million users to the Marketplace.

## Objectives:

Client desired to create a marketplace where users can be connected for their needs to local retailers and enhancing retailers to scale their revenue and visibility in their local market.

## Technologies used:

Java, React.js, Node.js, ES6, Express.js, MongoDB

## Architecture used:

- MVC (Model View Controller) for Web Application
- MVVM (Model View- View Model) for Mobile Application

## **Project description:**

The Project has been developed in two platforms Web Application and Mobile Application. It allows both user and retailers to fulfil their buying and selling needs in one platform to meet their needs. It empowers the users to be hassle-free and boost the visibility of retailers. Here the greater need is getting fulfilled by boosting the revenue and saving time for users. The UI/UX of both the web and mobile application is user friendly to scroll easily and find the service in most effective time.

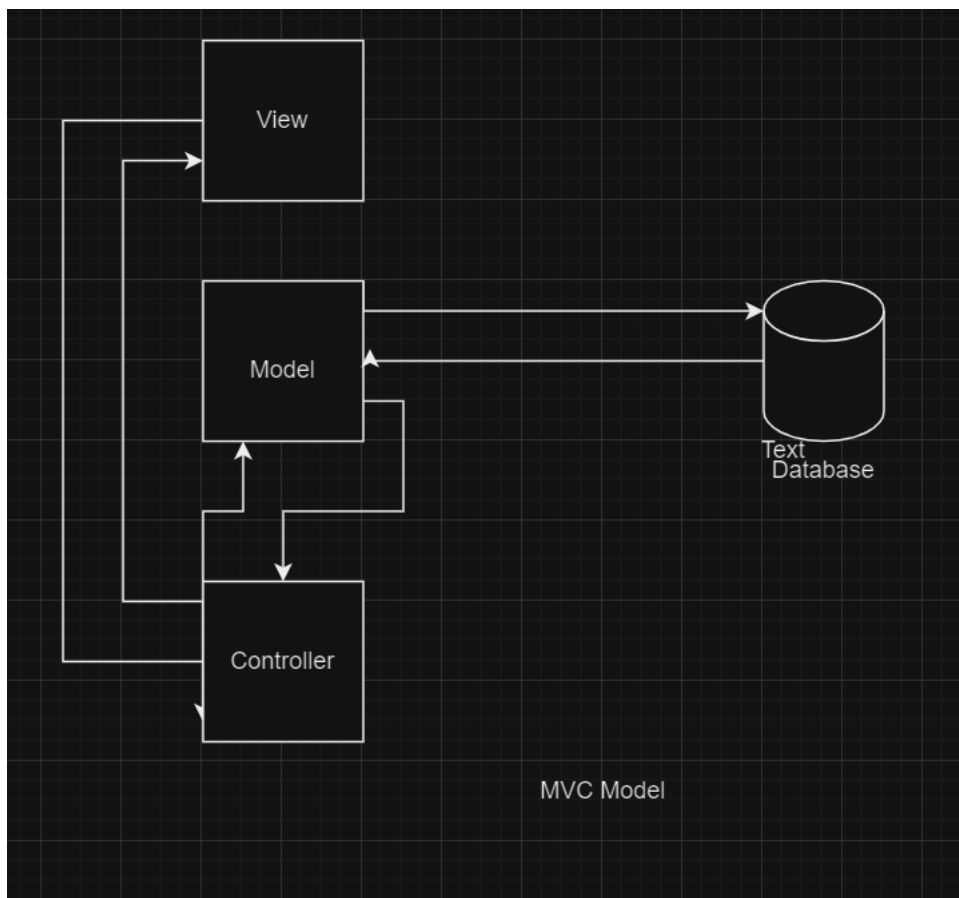
The retailer can register by using his mobile number and can easily get started to deliver its service. Project have taken care of basic categories to rare categories that we need in daily-basis or required basis. Project have potentially enabled the vulnerable communities showcase their creativity and easily get recognized nearby. The developers leveraged use of latest technologies to develop itself to function seamlessly. Integration of geo-spatial location technology calculates the real time distance between the users and shops.

## **Workflow:**

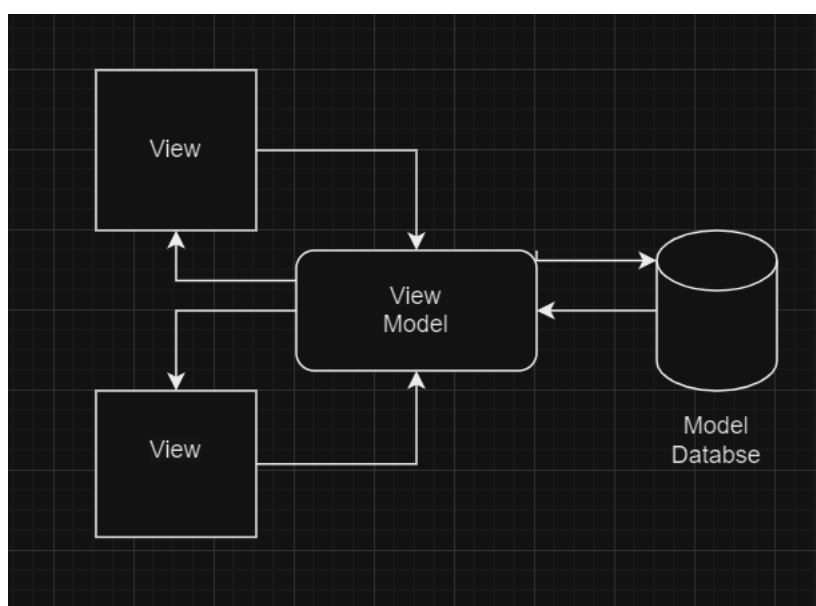
We have made the dashboard as simple as it can be. The interactive User-Interface have an attracting beauty to provide service User for better In-app experience.

The Workflow starts with free registration for its user and directs the retailers to register free and avail subscription for its premium features. The user will search the category he needs the services for. The application will filter the best rated retailers available by shortest distance for the required categories. The user can get the details of the retailer and place his needs. The retailer will have to provide the good services to grow its reach in its locality. The retailer can showcase the product through the dashboard access given to him. This will bring more users to his place.

## Architecture:



MVC(Model View Controller)



MVVM (Model View- View Model Architecture)

## **Conclusion:**

The web application effectively reduces time utilization and enhances the visibility and accessibility for retailers and users respectively. It solves the problem of a common man and some vulnerable community to use the benefits of Digital Marketplace and providing users the best rated retailers nearby for its daily needs to rare used goods for his lifestyle. For best use of the project , It have been made available for both web and mobile platform through Web Application an Mobile Application respectively.